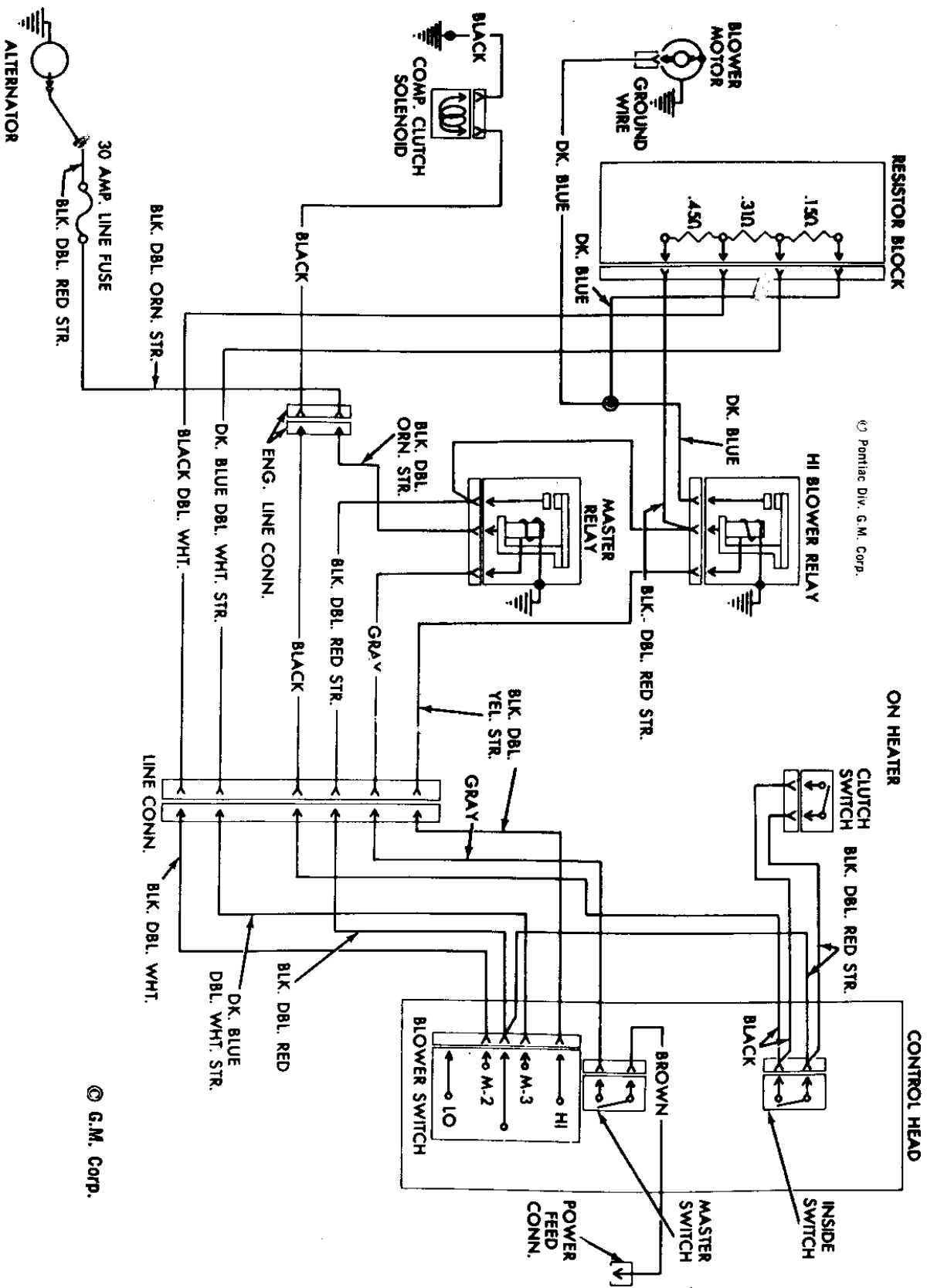


© Pontiac Div., G.M. Corp.



© G.M. Corp.

1967 Pontiac A/C & Heat